

## Retaining magnets

### for profile systems

#### SPECIFICATION

Plastic  
 Technopolymer (Polyamide PA)  
 black, matt **SW**  
 Material of the magnet  
 NdFeB  
 Neodymium, iron, boron  
 temperature resistant up to 80 °C  
 Steel insert, grub screw  
 zinc plated, blue passivated

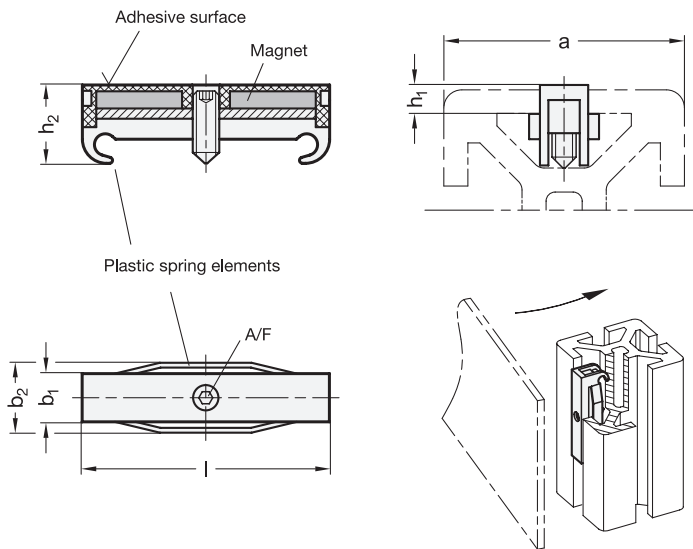


#### INFORMATION

With GN 56 retaining magnets doors, covers or even tools and accessories can simply be attached to profile systems using magnets.

Thanks to the side-mounted plastic spring elements the retaining magnet can be introduced into a profile nut at any point. When affixed this way, the magnet holds with a multiple of its magnet nominal holding force in the nut. If necessary, the retaining magnet can be taken out of the nut again with a suitable screw driver via the recesses on the front.

Lightly turning the threaded pin against the groove base stops the retaining magnet from moving in the direction of the nut. Additional protection against sideward movement can be achieved with nuts for T-nuts GN 506 (see page 982), for example.



#### GN 56

Description	b1	a	b2	h1	h2	l	A/F	Nominal adhesive forces in N	⚖
GN 56-6-30-SW	6	30	9.5	3	10.2	41	1.5	18	6
GN 56-8-30-SW	8	30	11.6	2.3	9.3	41	2	30	6
GN 56-8-40-SW	8	40	12.5	4.8	12.9	41	2	30	6
GN 56-10-45-SW	10	45	13.7	6	13.2	41	2	30	10